



RACL2

Parts List
24-May-2023



*This parts list is current as of the above revision date.
See <http://www.rheempartslists.net/92-42800-RACL2.pdf> for the current revision.*

Condensing Units - Commercial

Table of Contents

Model Explanation	Page 3
Parts Numbers	
Panels 078-090 - MiscellaneousGSG	Page 4
Panels 120-240 - MiscellaneousGSG	Page 5
Electrical Group 078-240	Page 6
Fan Group 078-240	Page 7
Coil Parts 078-240	Page 8
Compressor Group 078-090	Page 9
Compressor Group 120-240	Page 10
Accessories 078-240	Page 12
Drawings/Photographs	
Exploded View 078-090	Page 13
Exploded View 120-150	Page 14
Exploded View 180-240	Page 15
Control Box 078-090	Page 16
Control Box 120-180	Page 17
Control Box 240	Page 17
Compressor, Valve Mounting 078-090	Page 18
Coils - Compressor 120	Page 19
Coils -Compressor 150-240	Page 20
Notes/Disclaimer	Page 21

MODEL NUMBER EXPLANATION

R	A	C	L	2	0	9	0	C	A	Z
1	2	3	4	5	6			7	8	9

- 1 TRADEBRAND IDENTIFICATION**
- 2 OUTDOOR MODEL**
A = Remote Condensing Unit
- 3 DESIGNATION**
C = Commercial Series
- 4 REFRIGERATION TYPE**
L = R410A
- 5 COMPRESSOR STAGES**
1 = 1 Stage
2 = 2 Stage
V = Variable Speed
- 6 COOLING CAPACITY**
078 = 6.5 Tons 150 = 12.5 Tons
090 = 7.5 Tons 180 = 15 Tons
120 = 10 Tons 240 = 20 Tons
- 7 ELECTRICAL DESIGNATION**
C = 208-230/3/60
D = 460/3/60
Y = 575/3/60
- 8 DESIGN VARIATION**
A = Standard Model
B = DOE 2023 Compliant
- 9 COMPRESSOR TYPE**
Z = Scroll Compressor

SERIAL NUMBER EXPLANATION

F	0	8	1	3	9	9	9	9
(1)	(2)		(3)		(4)			

- (1) PLANT CODE**
- (2) WEEK OF PRODUCTION**
- (3) YEAR OF PRODUCTION**
- (4) PRODUCTION NUMBER**

Note: For Compressor Identification Number, see Compressor Code on Rating Plate

No.	Notes	MODEL COOLING CAPACITY VARIATION	RACL2 078 CAZ / CBZ	RACL2 078 DAZ / DBZ	RACL2 090 CAZ / CBZ	RACL2 090 DAZ / DBZ
SHEET METAL PARTS, MISCELLANEOUS						
1		Front Panel	AE-104456-49	AE-104456-49	AE-104456-49	AE-104456-49
2		Left Panel (Badge Panel)	AE-104456-58	AE-104456-58	AE-104456-58	AE-104456-58
3		Back Panel	AE-104456-50	AE-104456-50	AE-104456-50	AE-104456-50
4		Right Panel	AE-104456-49	AE-104456-49	AE-104456-49	AE-104456-49
5		Base Pan	68-104457-03	68-104457-03	68-104457-03	68-104457-03
6		Control Box	AE-104461-05	AE-104461-05	AE-104461-05	AE-104461-05
7		Control Box Cover	AS-104462-01H	AS-104462-01H	AS-104462-01H	AS-104462-01H
8		Control Box Bracket	AS-104460-11H	AS-104460-11H	AS-104460-11H	AS-104460-11H
9		Service Door	AS-104525-05H	AS-104525-05H	AS-104525-05H	AS-104525-05H
10		Center Post (2)	AS-104459-13H	AS-104459-13H	AS-104459-13H	AS-104459-13H
12		Corner Post - Louvered	AS-104469-07H (3)	AS-104469-07H (3)	AS-104469-07H (3)	AS-104469-07H (3)
13		Top Panel	AS-104458-03H	AS-104458-03H	AS-104458-03H	AS-104458-03H
14		Venturi	68-104464-09	68-104464-09	68-104464-09	68-104464-09
15		Grille	95-104620-04	95-104620-04	95-104620-04	95-104620-04
		Coil Air Stop - Left	AE-104542-07	AE-104542-07	AE-104542-07	AE-104542-07
		Coil Air Stop - Right	AE-104543-07	AE-104543-07	AE-104543-07	AE-104543-07
		Center Cap - Blank (for Grille)	91-105471-01	91-105471-01	91-105471-01	91-105471-01
		Service Valve - Suction			See Coil Group	
		Service Valve - Liquid			See Coil Group	
		Touch-up Paint - Granite/Steel Gray (Aerosol)	PD523018	PD523018	PD523018	PD523018
		Touch-up Paint - Granite/Steel Gray (Paint Pens)	PD523019	PD523019	PD523019	PD523019

No.	Notes	MODEL COOLING CAPACITY VARIATION	RACL2 120 CAZ / CBZ	RACL2 120 DAZ / DBZ	RACL2 150 CAZ / CBZ	RACL2 150 DAZ / DBZ
SHEET METAL PARTS, MISCELLANEOUS						
1		Base Rail - End	AE-90925-01	AE-90925-01	AE-90925-01	AE-90925-01
2		Base Rail - Side	AE-90925-04	AE-90925-04	AE-90925-04	AE-90925-04
3		Middle Support Base Rail	AE-90925-05	AE-90925-05	AE-90925-05	AE-90925-05
4		Base Pan	10-90929-04HT	10-90929-04HT	10-90929-04HT	10-90929-04HT
5		Wire Grille	95-104620-04	95-104620-04	95-104620-04	95-104620-04
6		Access Panel - Front	AE-90937-01HT	AE-90937-01HT	AE-90937-01HT	AE-90937-01HT
7		Access Panel - Rear	AE-90938-01HT	AE-90938-01HT	AE-90938-01HT	AE-90938-01HT
8		Corner Post (4)	AE-90930-01HT	AE-90930-01HT	AE-90930-01HT	AE-90930-01HT
9		Louvered Panel (4)	10-90944-03HT	10-90944-03HT	10-90944-03HT	10-90944-03HT
10		Center Post	AE-105378-01HT	AE-105378-01HT	AE-105378-01HT	AE-105378-01HT
11		Connection Panel	AE-90936-04HT	AE-90936-04HT	AE-90936-04HT	AE-90936-04HT
12		Top Panel	AS-90942-10HT	AS-90942-10HT	AS-90942-10HT	AS-90942-10HT
13		Venturi Ring	68-104464-07	68-104464-07	68-104464-07	68-104464-07
14		Control Box Cover	AE-90935-01HT	AE-90935-01HT	AE-90935-01HT	AE-90935-01HT
15		Control Box	AS-90933-03	AS-90933-03	AS-90933-03	AS-90933-03
16		Control Box Mounting Bracket - Side	AE-90934-01	AE-90934-01	AE-90934-01	AE-90934-01
17		Control Box Mounting Bracket - Top	AE-90934-02	AE-90934-02	AE-90934-02	AE-90934-02
18		Control Box Mounting Bracket - Bottom	AE-90934-03HT	AE-90934-03HT	AE-90934-03HT	AE-90934-03HT
20		Hole Plug	45-40356-10	45-40356-10	45-40356-10	45-40356-10
		Mounting Bracket - Service Valve	AE-102833-02	AE-102833-02	AE-102833-02	AE-102833-02
		Touch-up Paint - Granite/Steel Gray (Aerosol)	PD523018	PD523018	PD523018	PD523018
		Touch-up Paint - Granite/Steel Gray (Paint Pens)	PD523019	PD523019	PD523019	PD523019

No.	Notes	MODEL COOLING CAPACITY VARIATION	RACL2 180 CAZ / CBZ	RACL2 180 DAZ / DBZ	RACL2 240 CAZ / CBZ	RACL2 240 DAZ / DBZ
SHEET METAL PARTS, MISCELLANEOUS						
1		Base Rail - End	AE-90925-01	AE-90925-01	AE-90925-01	AE-90925-01
2		Base Rail - Side	AE-90925-02	AE-90925-02	AE-90925-02	AE-90925-02
3		Middle Support Base Rail	AE-90925-05	AE-90925-05	AE-90925-05	AE-90925-05
4		Base Pan	10-90929-01HT	10-90929-01HT	10-90929-01HT	10-90929-01HT
5		Wire Grille	95-100906-09	95-100906-09	95-42507-01	95-42507-01
6		Access Panel - Front	AE-90937-01HT	AE-90937-01HT	AE-90937-01HT	AE-90937-01HT
7		Access Panel - Rear	AE-90938-01HT	AE-90938-01HT	AE-90938-01HT	AE-90938-01HT
8		Corner Post (4)	AE-90930-01HT	AE-90930-01HT	AE-90930-01HT	AE-90930-01HT
9		Louvered Panel (4)	10-90944-01HT	10-90944-01HT	10-90944-01HT	10-90944-01HT
10		Center Post	AE-105378-01HT	AE-105378-01HT	AE-105378-01HT	AE-105378-01HT
11		Connection Panel	AE-90936-03HT	AE-90936-03HT	AE-90936-03HT	AE-90936-03HT
12		Top Panel	AS-90942-06HT	AS-90942-06HT	AS-90942-06HT	AS-90942-06HT
13		Venturi Ring	AE-90632-01HT	AE-90632-01HT	AE-90632-01HT	AE-90632-01HT
14		Control Box Cover	AE-90935-01HT	AE-90935-01HT	AE-90935-01HT	AE-90935-01HT
15		Control Box	AS-90933-03	AS-90933-03	AS-90933-03	AS-90933-03
16		Control Box Mounting Bracket - Side	AE-90934-01	AE-90934-01	AE-90934-01	AE-90934-01
17		Control Box Mounting Bracket - Top	AE-90934-02	AE-90934-02	AE-90934-02	AE-90934-02
18		Control Box Mounting Bracket - Bottom	AE-90934-03HT	AE-90934-03HT	AE-90934-03HT	AE-90934-03HT
20		Hole Plug	45-40356-10	45-40356-10	45-40356-10	45-40356-10
		Mounting Bracket - Service Valve	AE-102833-02	AE-102833-02	AE-102833-02	AE-102833-02
		Touch-up Paint - Granite/Steel Gray (Aerosol)	PD523018	PD523018	PD523018	PD523018
		Touch-up Paint - Granite/Steel Gray (Paint Pens)	PD523019	PD523019	PD523019	PD523019

No.	Notes	MODEL COOLING CAPACITY ELECTRICAL DESIGNATION	RACL2	RACL2	RACL2	RACL2
			078 C	078 D	090 C	090 D
ELECTRIC GROUP						
20a		Grounding Lug	45-19000-01	45-19000-01	45-19000-01	45-19000-01
32	Stk	Contactora	42-102664-23	42-102664-23	42-102664-23	42-102664-23
35	Stk	Control Transformer	46-41930-01	46-41930-01	46-41930-01	46-41930-01
37		High Pressure Control			See Coil Group	
38		Low Pressure Control			See Coil Group	
39		Low Ambient Control			See Coil Group	

No.	Notes	MODEL COOLING CAPACITY ELECTRICAL DESIGNATION	RACL2	RACL2	RACL2	RACL2
			120 C	120 D	150 C	150 D
ELECTRICAL GROUP						
20a		Grounding Lug	45-19000-02	45-19000-02	45-19000-02	45-19000-02
32	Stk	Contactora	42-102664-31	42-102664-31	42-102664-19 (2)	42-102664-19 (2)
33		Terminal Block	45-106539-01	45-106539-01	45-41669-01	45-41669-01
34	Stk	Relay	N/A	N/A	42-19736-07	42-19736-07
35	Stk	Transformer	46-42515-01	46-42515-02	46-42515-01	46-42515-02
36	Stk	Time Delay Relay (Design Variation "A")	N/A	N/A	42-22906-01	42-22906-01
	Stk	Time Delay Relay (Design Variation "B")	N/A	N/A	42-108874-01	42-108874-01
37		High Pressure Control			See Coil Group	
38		Low Pressure Control			See Coil Group	
39		Low Ambient Control			See Coil Group	

No.	Notes	MODEL COOLING CAPACITY ELECTRICAL DESIGNATION	RACL2	RACL2	RACL2	RACL2
			180 C	180 D	240 C	240 D
ELECTRICAL GROUP						
20a		Grounding Lug	45-19000-02	45-19000-02	45-19000-02	45-19000-02
32	Stk	Contactora	42-102664-17 (2)	42-102664-19 (2)	42-102664-17 (2)	42-102664-19 (2)
33		Terminal Block	45-41669-01	45-41669-01	45-41669-01	45-41669-01
34	Stk	Relay	42-19736-07	42-19736-07	42-19736-07	42-19736-07
35	Stk	Transformer	46-42515-04	46-42515-05	46-42515-04	46-42515-05
36	Stk	Time Delay Relay (Design Variation "A")	42-22906-01	42-22906-01	42-22906-01	42-22906-01
	Stk	Time Delay Relay (Design Variation "B")	42-108874-01	42-108874-01	42-108874-01	42-108874-01
37		High Pressure Control			See Coil Group	
38		Low Pressure Control			See Coil Group	
39		Low Ambient Control			See Coil Group	

No.	Notes	MODEL COOLING CAPACITY ELECTRICAL DESIGNATION	RACL2	RACL2	RACL2	RACL2	
			078 C	078 D	090 C	090 D	
FAN GROUP							
24	Stk	Fan Motor	51-105035-16	51-105035-17	51-105035-16	51-105035-17	
25	Stk	Capacitor - Fan Motor	N/A	N/A	N/A	N/A	
26	Stk	Fan Blade	70-102345-15	70-102345-15	70-102345-15	70-102345-15	

No.	Notes	MODEL COOLING CAPACITY ELECTRICAL DESIGNATION	RACL2	RACL2	RACL2	RACL2	
			120 C	120 D	150 C	150 D	
FAN GROUP							
24	Stk	Fan Motor	51-105035-08 (2)	51-105035-18 (2)	51-105035-12 (2)	51-105035-09 (2)	
25	Stk	Capacitor - Fan Motor	N/A	N/A	N/A	N/A	
26	Stk	Fan Blade	70-102345-15 (2)	70-102345-15 (2)	70-102345-15 (2)	70-102345-15 (2)	
27		Cap/Rain Shield	N/A	N/A	N/A	N/A	
28		Motor Mount - Outdoor Fan	N/A	N/A	N/A	N/A	

No.	Notes	MODEL COOLING CAPACITY ELECTRICAL DESIGNATION	RACL2	RACL2	RACL2	RACL2	
			180 C	180 D	240 C	240 D	
FAN GROUP							
24	Stk	Fan Motor	51-105035-13 (3)	51-105035-14 (3)	51-106920-03 (3)	51-106920-04 (3)	
25	Stk	Capacitor - Fan Motor	N/A	N/A	N/A	N/A	
26	Stk	Fan Blade	70-103693-01 (3)	70-103693-01 (3)	70-42572-03 (3)	70-42572-03 (3)	
27		Cap/Rain Shield	N/A	N/A	N/A	N/A	
28		Motor Mount - Outdoor Fan	N/A	N/A	70-42504-01 (3)	70-42504-01 (3)	

No.	Notes	MODEL COOLING CAPACITY VARIATION	RACL2 078 CAZ / CBZ	RACL2 078 DAZ / DBZ	RACL2 090 CAZ / CBZ	RACL2 090 DAZ / DBZ
COIL GROUP						
21	Stk	Condenser Coil	AS-106748-01	AS-106748-01	AS-106748-01	AS-106748-01
37	Stk	High Pressure Control	47-102290-09	47-102290-09	47-102290-09	47-102290-09
32		Service Valve (Liquid)	61-106734-01	61-106734-01	61-106734-01	61-106734-01
31		Service Valve (Suction)	61-106734-02	61-106734-02	61-106734-02	61-106734-02
39	Stk	Low Ambient Control	See Accessories Group			
38	Stk	Low Pressure Control	47-103670-13	47-103670-13	47-103670-13	47-103670-13
	Stk	Filter Drier (Design Variation "A")	83-104826-07	83-22755-17	83-104826-07	83-22755-17
	Stk	Filter Drier (Design Variation "B")	83-22755-17	83-22755-17	83-22755-17	83-22755-17

No.	Notes	MODEL COOLING CAPACITY VARIATION	RACL2 120 CAZ / CBZ	RACL2 120 DAZ / DBZ	RACL2 150 CAZ / CBZ	RACL2 150 DAZ / DBZ
COIL GROUP						
21	Stk	Condenser Coil (2)	AS-90900-10 (2)	AS-90900-10 (2)	AS-90900-10 (2)	AS-90900-10 (2)
		Distributor - 2 Way (1/2 in. to 3/8 in.) - w/o Liquid Tubes	83-19988-01	83-19988-01	83-19988-01	83-19988-01
		Distributor - 2 Way (3/4 in. to 3/4 in.) - w/o Liquid Tubes	83-17467-29	83-17467-29	83-17467-29	83-17467-29
22		Gauge Port	AS-90948-01	AS-90948-01	AS-90948-01	AS-90948-01
23		Gauge Port	AS-90948-02	AS-90948-02	AS-90948-02	AS-90948-02
32		Service Valve (Liquid)	61-21368-14	61-21368-14	61-21368-14	61-21368-14
31		Service Valve (Suction)	61-102832-02	61-102832-02	61-102832-02	61-102832-02
37	Stk	High Pressure Control	47-26184-06	47-26184-06	47-26184-06	47-26184-06
38	Stk	Low Pressure Control	47-101529-09	47-101529-09	47-101529-13	47-101529-13
39	Stk	Low Ambient Control	See Accessories Group			
	Stk	Filter Drier	83-22755-11	83-22755-11	83-104826-10	83-104826-10

No.	Notes	MODEL COOLING CAPACITY VARIATION	RACL2 180 CAZ / CBZ	RACL2 180 DAZ / DBZ	RACL2 240 CAZ / CBZ	RACL2 240 DAZ / DBZ
COIL GROUP						
21	Stk	Condenser Coil (2)	AS-90900-12 (2)	AS-90900-12 (2)	AS-90900-12 (2)	AS-90900-12 (2)
		Distributor - 2 Way (1/2 in. to 3/8 in.) - w/o Liquid Tubes	83-17467-03	83-17467-03	83-17467-03	83-17467-03
		Distributor - 2 Way (3/4 in. to 3/4 in.) - w/o Liquid Tubes	83-17467-33	83-17467-33	83-17467-33	83-17467-33
22		Gauge Port	AS-90948-01	AS-90948-01	AS-90948-01	AS-90948-01
23		Gauge Port	AS-90948-11	AS-90948-11	AS-90948-11	AS-90948-11
32		Service Valve (Liquid)	61-21368-16	61-21368-16	61-21368-16	61-21368-16
31		Service Valve (Suction)	61-102832-03	61-102832-03	61-102832-03	61-102832-03
37	Stk	High Pressure Control	47-26184-06	47-26184-06	47-26184-06	47-26184-06
38	Stk	Low Pressure Control	47-101529-13	47-101529-13	47-101529-13	47-101529-13
39	Stk	Low Ambient Control	See Accessories Group			
	Stk	Filter Drier	83-104826-11	83-104826-11	83-104826-11	83-104826-11

No.	Notes	MODEL	RACL	RACL	RACL	RACL
		COMPRESSOR STAGES	2	2	2	2
		COOLING CAPACITY	078	078	090	090
		ELECTRICAL DESIGNATION	C	D	C	D
		DESIGN VARIATION	A	A	A	A
COMPRESSOR GROUP						
		Compressor ID:	9610	9663	9579	9664
40	Stk	Compressor	55-23156-66	55-23156-67	55-23156-66	55-23156-67
		Compressor Grommet (4)	56-18518-06	56-18518-06	56-18518-06	56-18518-06
		Compressor Bolt (4)	63-20072-07	63-20072-07	63-20072-07	63-20072-07
		Compressor Molded Plug Harness (Square Molded Plug)	N/A	N/A	N/A	N/A
	Stk	Compressor Wiring Harness - Low Voltage - Molded Plug "Includes Rectifier"	45-101723-07	45-101723-07	45-101723-07	45-101723-07
		Crankcase Heater	44-17402-10	44-17402-11	44-17402-10	44-17402-11
	Stk	Filter Drier	See Coil Group			

No.	Notes	MODEL	RACL	RACL	RACL	RACL
		COMPRESSOR STAGES	2	2	2	2
		COOLING CAPACITY	078	078	090	090
		ELECTRICAL DESIGNATION	C	D	C	D
		DESIGN VARIATION	B	B	B	B
COMPRESSOR GROUP						
		Compressor ID:	9853	9854	9855	9856
40	Stk	Compressor	55-23156-66	55-23156-67	55-23156-66	55-23156-67
		Compressor Grommet (4)	56-18518-06	56-18518-06	56-18518-06	56-18518-06
		Compressor Bolt (4)	63-20072-07	63-20072-07	63-20072-07	63-20072-07
		Compressor Molded Plug Harness (Square Molded Plug)	N/A	N/A	N/A	N/A
	Stk	Compressor Wiring Harness - Low Voltage - Molded Plug "Includes Rectifier"	45-101723-07	45-101723-07	45-101723-07	45-101723-07
		Crankcase Heater	44-17402-10	44-17402-11	44-17402-10	44-17402-11
	Stk	Filter Drier	See Coil Group			

No.	Notes	MODEL COMPRESSOR STAGES COOLING CAPACITY ELECTRICAL DESIGNATION DESIGN VARIATION	RACL 2 120 C A	RACL 2 120 D A	RACL 2 150 C A	RACL 2 150 D A
COMPRESSOR GROUP						
		Compressor ID:	9620	9665	9621	9655
40	Stk	Compressor	55-23156-56	55-23156-57	55-102477-27	55-102477-28
		Compressor Grommet (4)	56-18518-06	56-18518-06	N/A	N/A
		Compressor Bolt (4)	63-20072-03	63-20072-03	63-41871-02	63-41871-02
		Compressor Molded Plug Harness (Square Molded Plug)	N/A	N/A	45-100834-03	45-100834-03
		Compressor Molded Plug Harness (Round Molded Plug)	N/A	N/A	N/A	N/A
	Stk	Compressor Wiring Harness - Low Voltage - Molded Plug "Includes Rectifier"	45-101723-02	45-101723-02	45-101723-07	45-101723-07
	Stk	Crankcase Heater #1	44-17402-22	44-17402-23	44-17402-20	44-17402-21
	Stk	Crankcase Heater #2	N/A	N/A	44-17402-22	44-17402-23
		Suction Tube	82-102631-06	82-102631-06	82-90918-55	82-90918-55
	Stk	Filter Drier	See Coil Group			

No.	Notes	MODEL COMPRESSOR STAGES COOLING CAPACITY ELECTRICAL DESIGNATION DESIGN VARIATION	RACL 2 120 C B	RACL 2 120 D B	RACL 2 150 C B	RACL 2 150 D B
COMPRESSOR GROUP						
		Compressor ID:	9857	9858	9859	9860
40	Stk	Compressor	55-23156-56	55-23156-57	55-102477-27	55-102477-28
		Compressor Grommet (4)	56-18518-06	56-18518-06	N/A	N/A
		Compressor Bolt (4)	63-20072-03	63-20072-03	63-41871-02	63-41871-02
		Compressor Molded Plug Harness (Square Molded Plug)	N/A	N/A	45-100834-03	45-100834-03
		Compressor Molded Plug Harness (Round Molded Plug)	N/A	N/A	N/A	N/A
	Stk	Compressor Wiring Harness - Low Voltage - Molded Plug "Includes Rectifier"	45-101723-02	45-101723-02	45-101723-07	45-101723-07
	Stk	Crankcase Heater #1	44-17402-22	44-17402-23	44-17402-20	44-17402-21
	Stk	Crankcase Heater #2	N/A	N/A	44-17402-22	44-17402-23
		Suction Tube	82-102631-06	82-102631-06	82-90918-55	82-90918-55
	Stk	Filter Drier	See Coil Group			

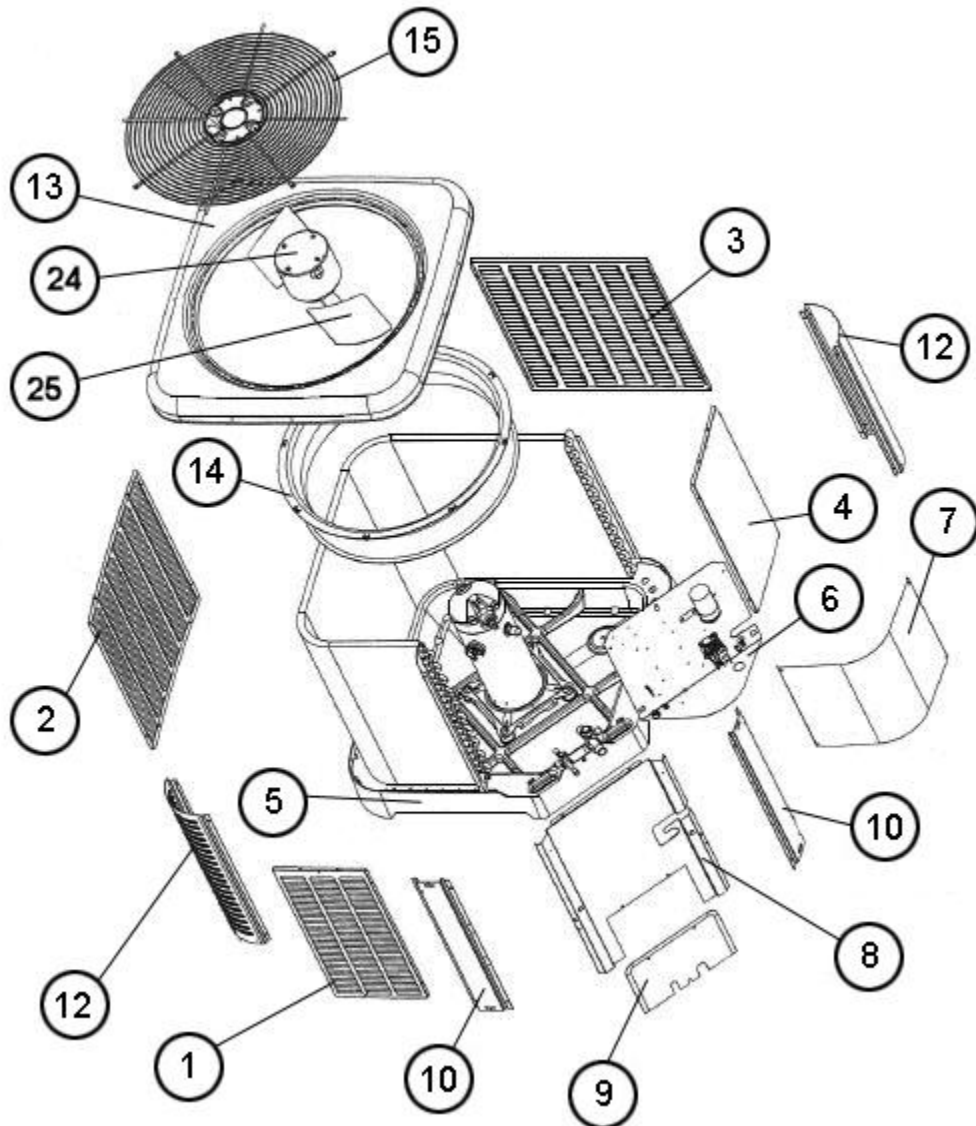
No.	Notes	MODEL COMPRESSOR STAGES COOLING CAPACITY ELECTRICAL DESIGNATION DESIGN VARIATION	RACL 2 180 C A	RACL 2 180 D A	RACL 2 240 C A	RACL 2 240 D A
COMPRESSOR GROUP						
		Compressor ID:	9698	9699	9617	9651
40	Stk	Compressor	55-102477-24	55-102477-25	55-102477-21	55-102477-22
		Compressor Grommet (4)	N/A	N/A	N/A	N/A
		Compressor Bolt (4)	63-20072-14	63-20072-14	63-20072-14	63-20072-14
		Compressor Molded Plug Harness (Square Molded Plug)	45-100834-18	45-100834-18	N/A	N/A
		Compressor Molded Plug Harness (Round Molded Plug)	45-108659-01	45-108659-01	N/A	N/A
	Stk	Compressor Wiring Harness - Low Voltage - Molded Plug "Includes Rectifier"	45-101723-07	45-101723-07	N/A	N/A
	Stk	Crankcase Heater #1	44-17402-20	44-17402-21	44-17402-22	44-17402-23
		Crankcase Heater #2	44-17402-22	44-17402-23	44-17402-22	44-17402-23
		Suction Tube	82-102631-07	82-102631-07	82-102631-07	82-102631-07
	Stk	Filter Drier	See Coil Group			

No.	Notes	MODEL COMPRESSOR STAGES COOLING CAPACITY ELECTRICAL DESIGNATION DESIGN VARIATION	RACL 2 180 C B	RACL 2 180 D B	RACL 2 240 C B	RACL 2 240 D B
COMPRESSOR GROUP						
		Compressor ID:	9861	9862	9863	9864
40	Stk	Compressor	55-102477-24	55-102477-25	55-102477-21	55-102477-22
		Compressor Grommet (4)	N/A	N/A	N/A	N/A
		Compressor Bolt (4)	63-20072-14	63-20072-14	63-20072-14	63-20072-14
		Compressor Molded Plug Harness (Square Molded Plug)	45-100834-18	45-100834-18	N/A	N/A
		Compressor Molded Plug Harness (Round Molded Plug)	45-108659-01	45-108659-01	N/A	N/A
	Stk	Compressor Wiring Harness - Low Voltage - Molded Plug "Includes Rectifier"	45-101723-07	45-101723-07	N/A	N/A
	Stk	Crankcase Heater #1	44-17402-20	44-17402-21	44-17402-22	44-17402-23
		Crankcase Heater #2	44-17402-22	44-17402-23	44-17402-22	44-17402-23

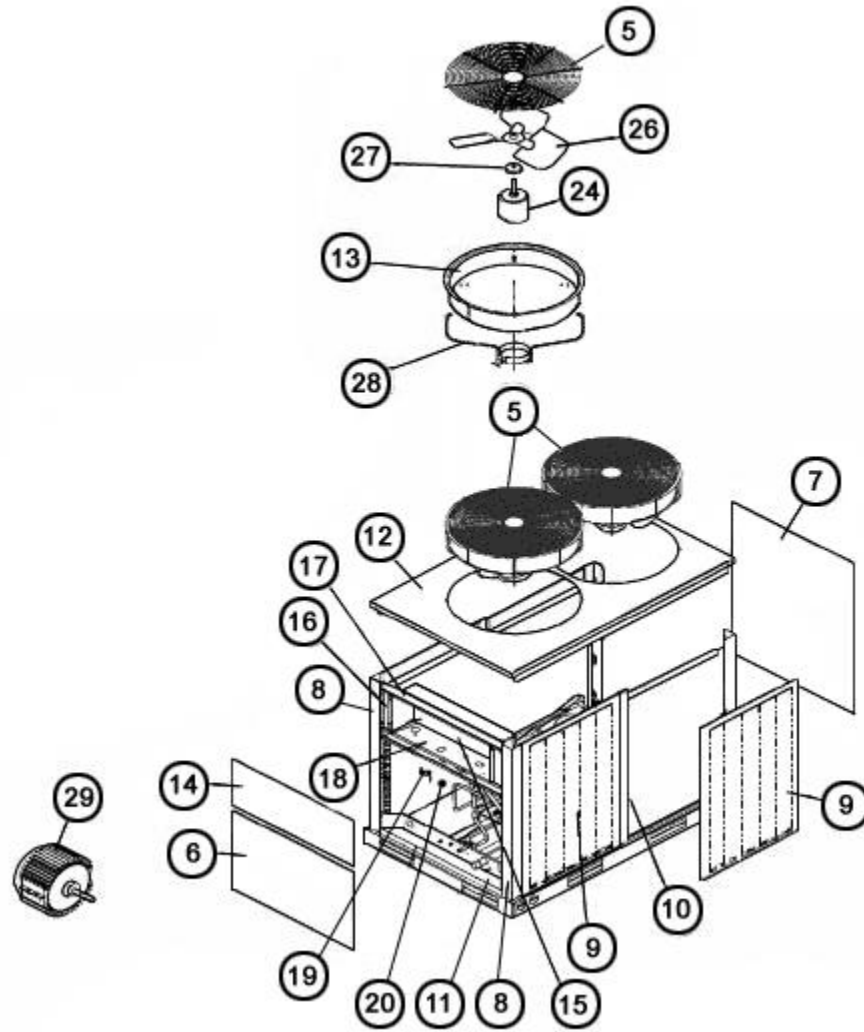
	Suction Tube	82-102631-07	82-102631-07	82-102631-07	82-102631-07
Stk	Filter Drier	See Coil Group			

No.	Notes	MODEL COOLING CAPACITY	RACL2 078	RACL2 090			
ACCESSORY GROUP							
		Anti-Short Cycle Timer Kit	RXAT-A01	RXAT-A01			
		Crankcase Heater	See Compressor Group				
		Low Ambient Control	RXAD-A08	RXAD-A08			
		Liquid Line Solenoid Valve	RXAV-CD078	RXAV-CD078			
		Sight Glass	RXAG-A048	RXAG-A048			

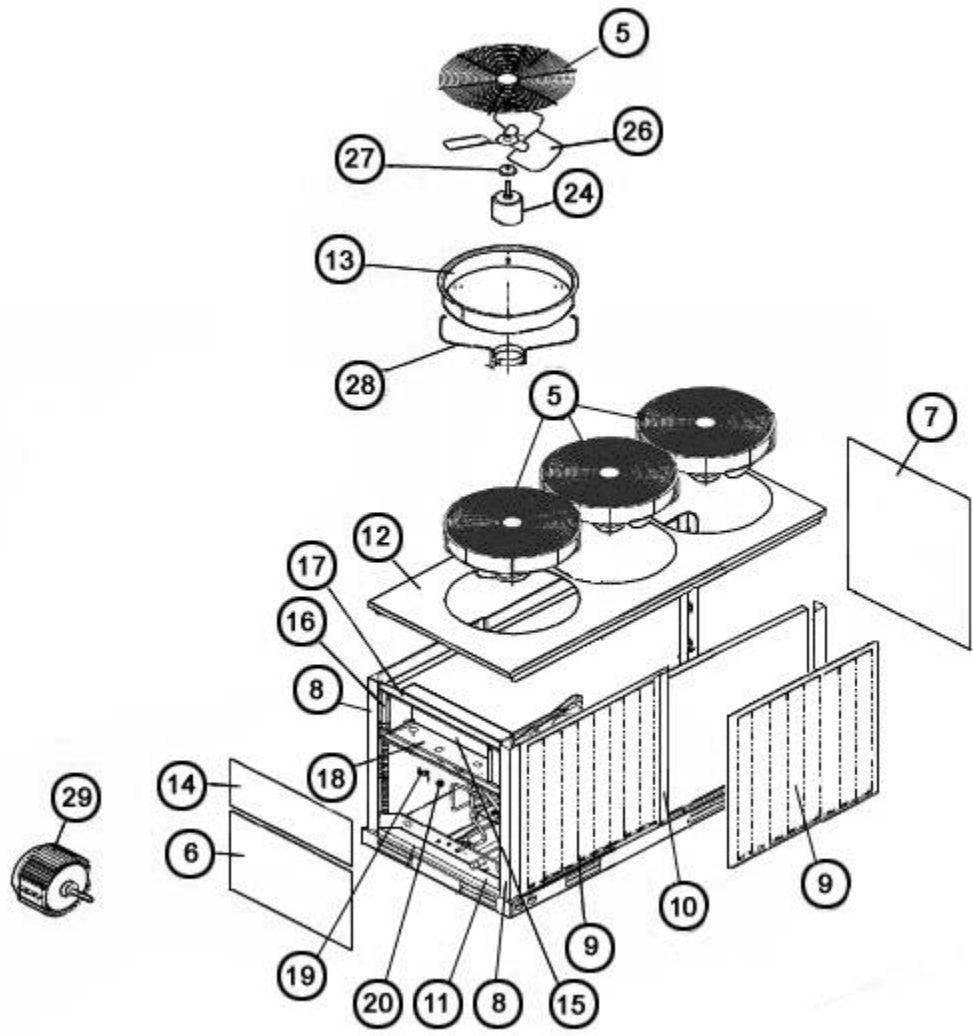
No.	Notes	MODEL COOLING CAPACITY	RACL2 120	RACL2 150	RACL2 180	RACL2 240	
ACCESSORY GROUP							
		Liquid Line Solenoid Valve	RXAV-CD120	RXAV-CD120	RXAV-CD180	RXAV-CD180	
		Sight Glass	RXAG-A048	RXAG-A048	RXAG-A020	RXAG-A020	
		Low Ambient Control	RXAD-A08	RXAD-A08	RXAD-A08	RXAD-A08	



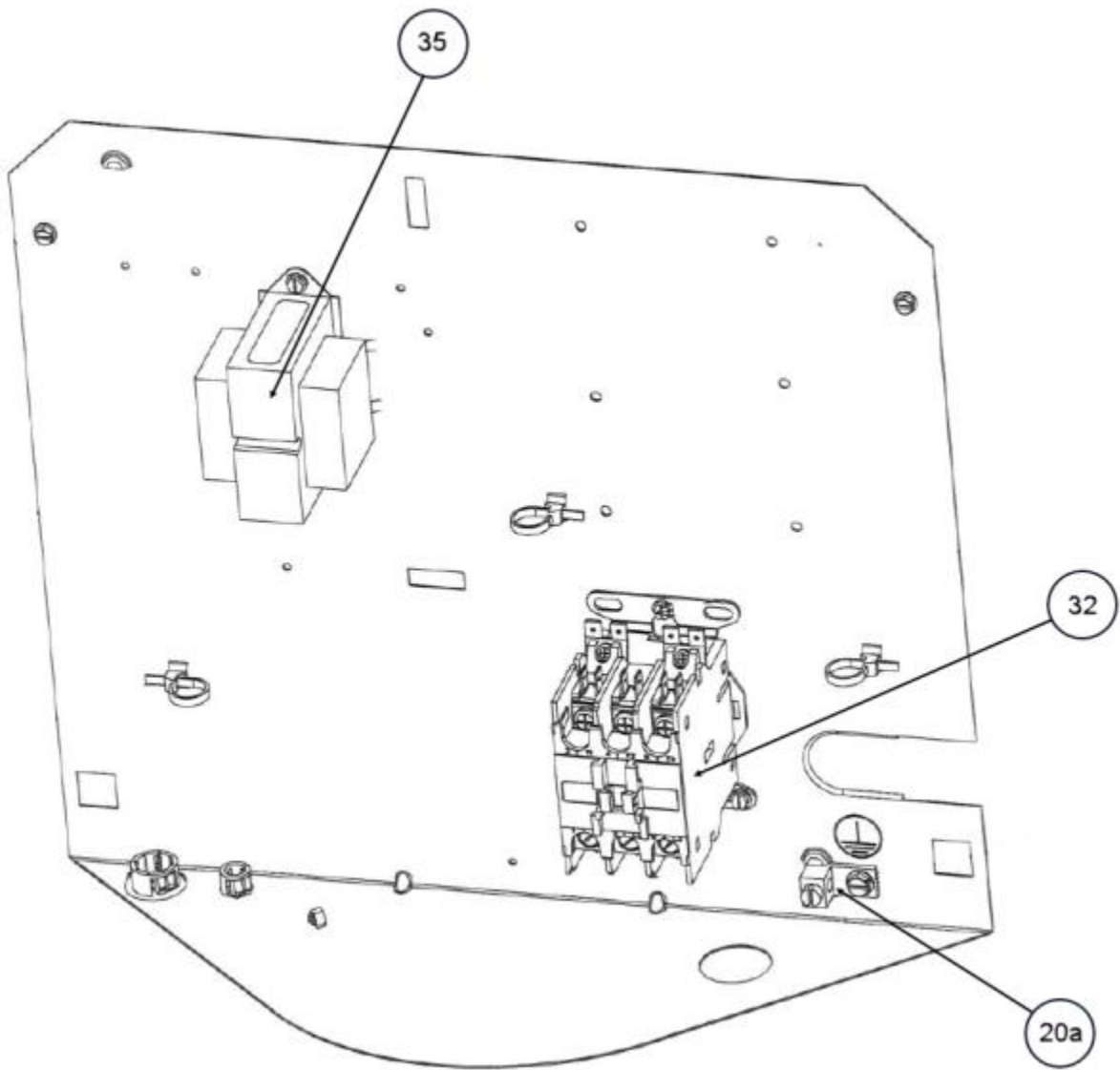
Exploded View 078-090



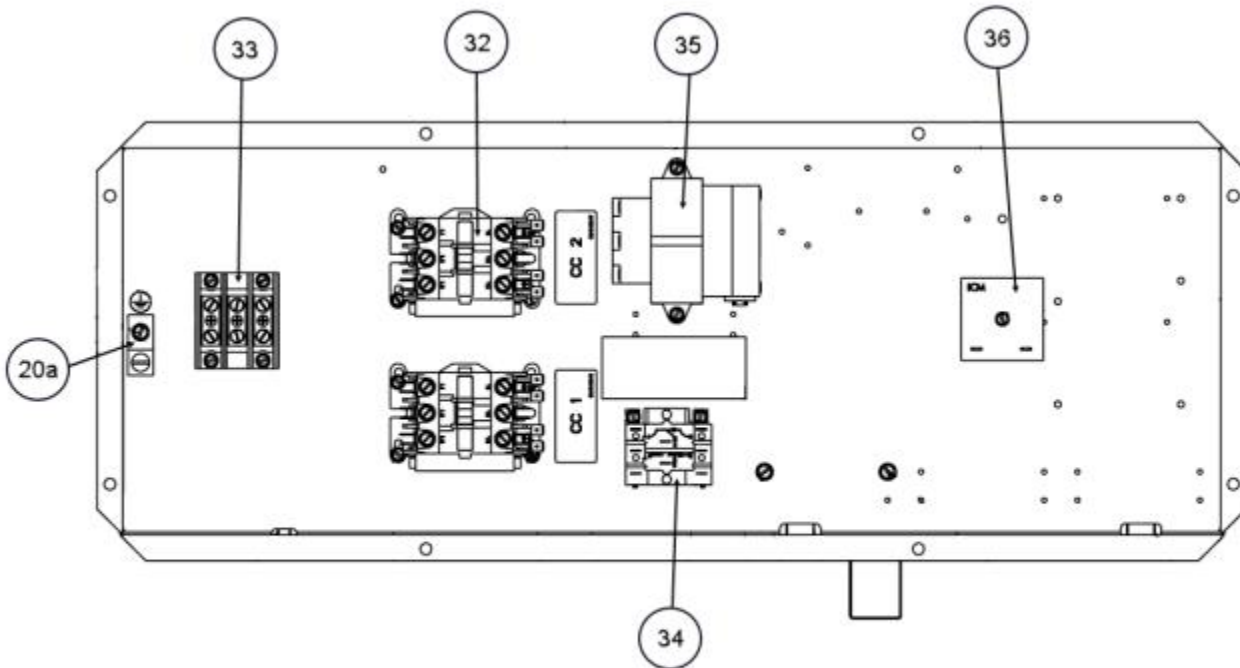
Exploded View 120-150



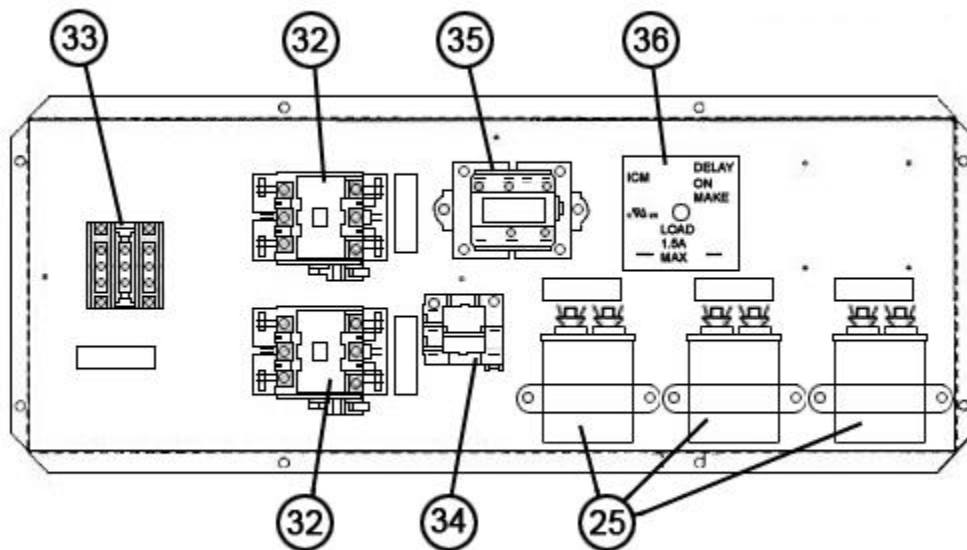
Exploded View 180-240



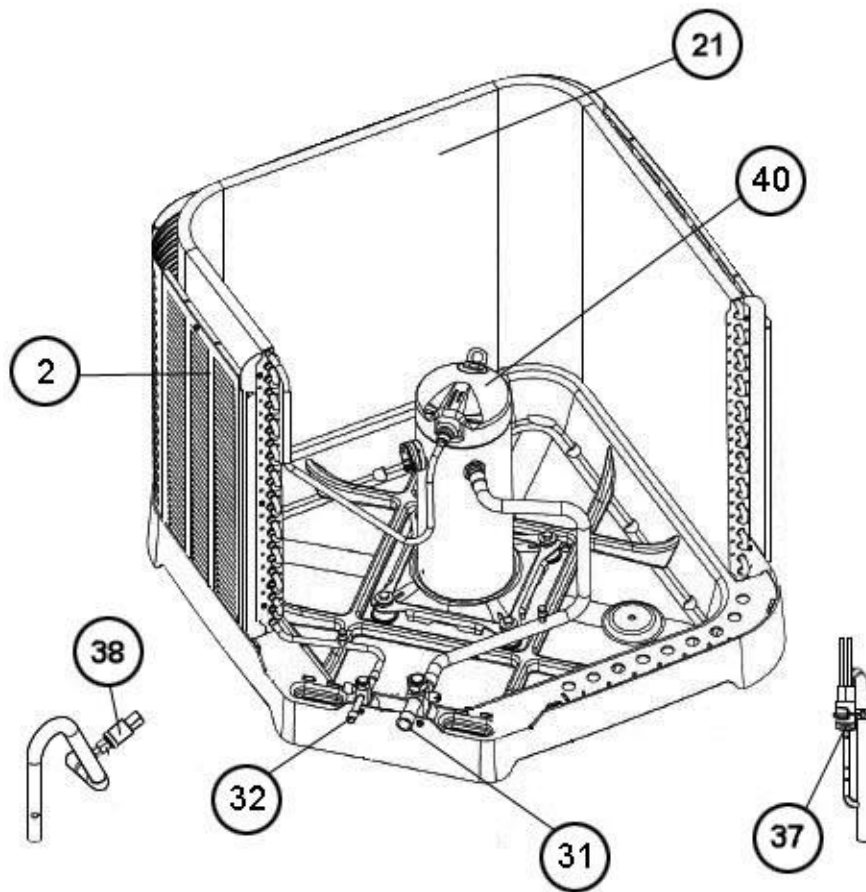
Control Box 078-090



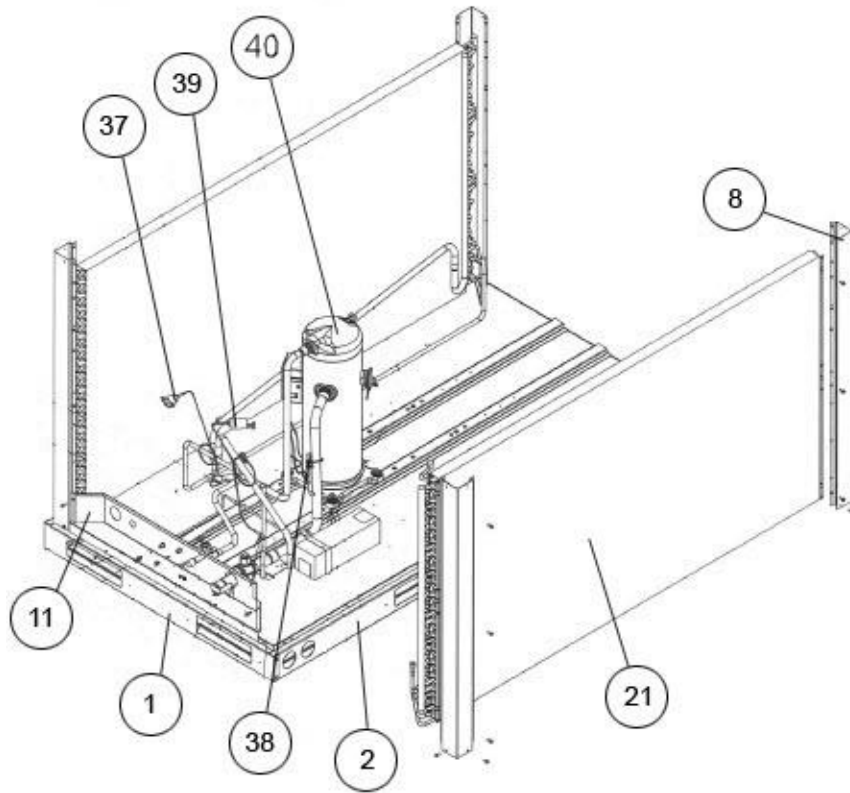
Control Box 120-180



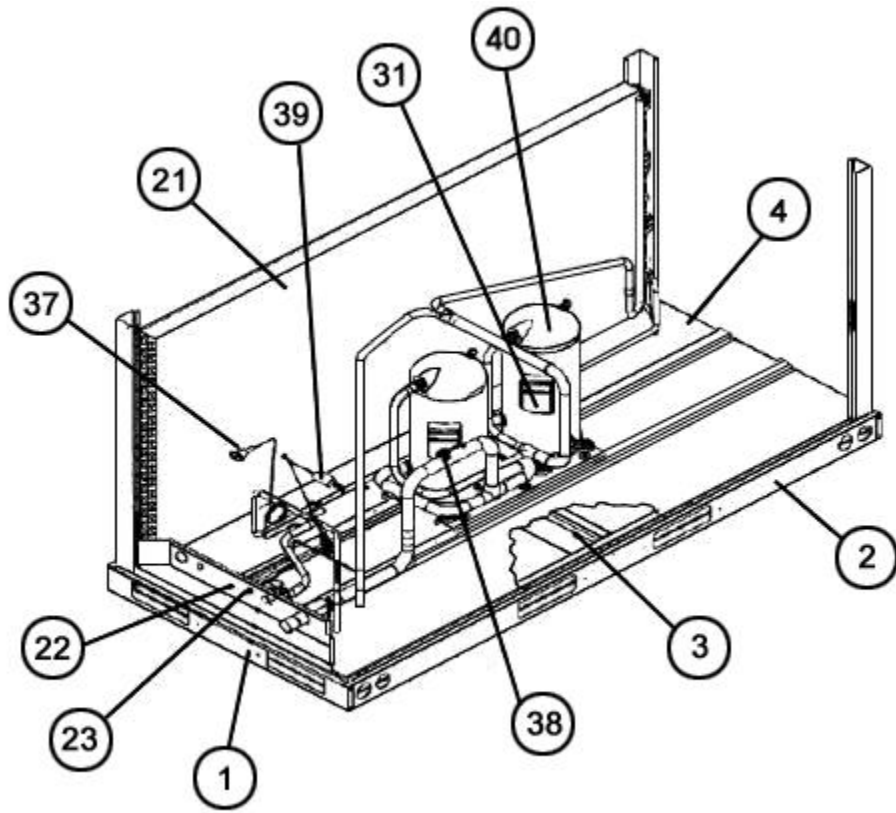
Control Box 240



Compressor, Valve Mounting 078-090



Coils - Compressor 120



Coils -Compressor 150-240

NOTES

Stk It is recommended that stock be maintained for this part.
N/A Not Applicable

DISCLAIMER: This document is intended to provide general replacement parts information to aid qualified service personnel in the repair of these models. The complete Model and Serial Number of the unit under repair should be specified when selecting and ordering replacement parts. Specifications and illustrations are subject to change without notice. Document 92-42800-RACL2 supersedes all previous parts lists for these models. See <http://www.rheempartslists.net/92-42800-RACL2> for the latest revision of this document. The manufacturer assumes no obligation for errors or omissions. Service personnel must verify the proper and safe operation of equipment after the replacement of any original components.